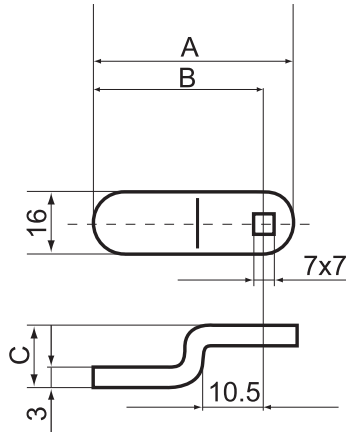


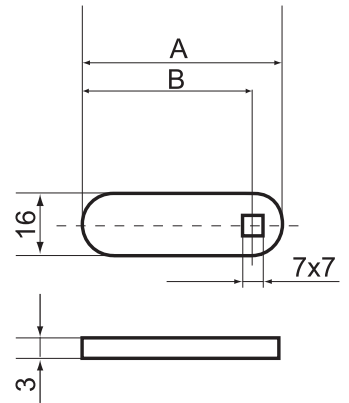
Hook Bolt Dimensional Drawing

A	B	C
*31	23	16.5
32	24	17.5
35	27	20.5
*42.5	34.5	28
47.5	39.5	33
38	50	43.5
*60.5	52.5	46



Off Set Bolt Dimensional Drawing

A	B	C
32	24	13.3
33	25	26.5
35	27	5
35	27	6.5
35	27	9.5
35	27	10.5
*36	28	12.5
36	28	22
37	29	18.5
38	30	15
38	30	7
40	32	5
40	32	19
45	37	5
45	37	8
45	37	13.3
48	40	19
50	42	12.5
61	53	18



Straight Bolt Dimensional Drawing

A	B
26	18
*30.5	22.5
33	25
35	27
38	30
40	32
*45	37
48	40
53	45
*58	50
68	60